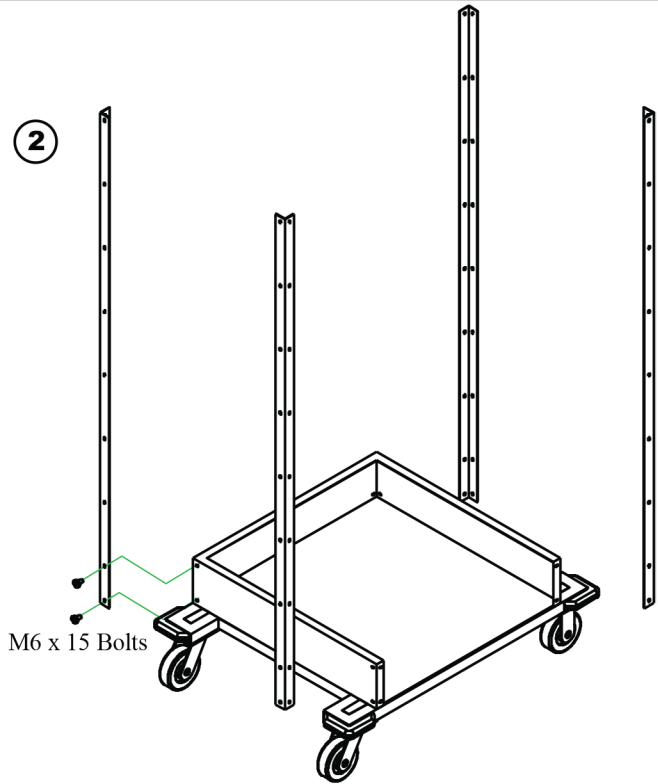
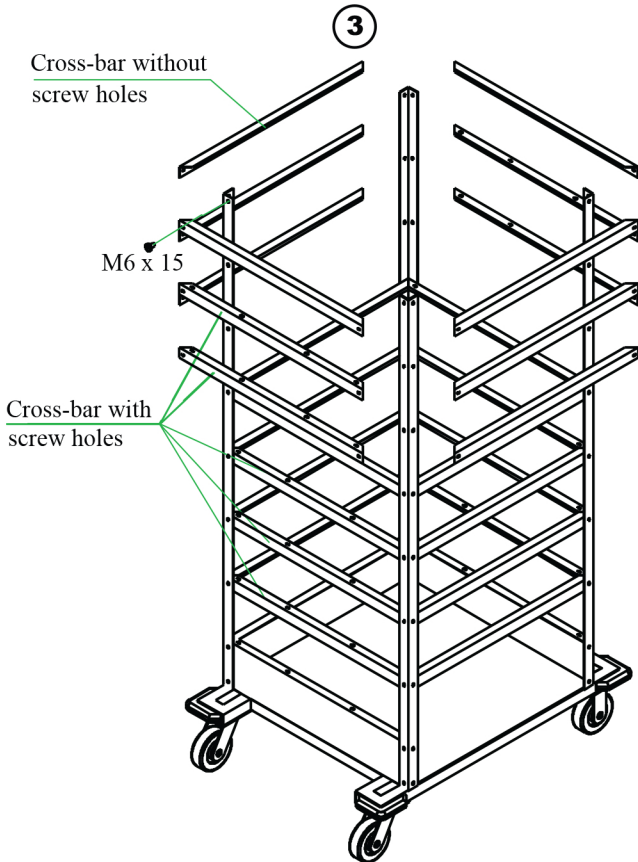


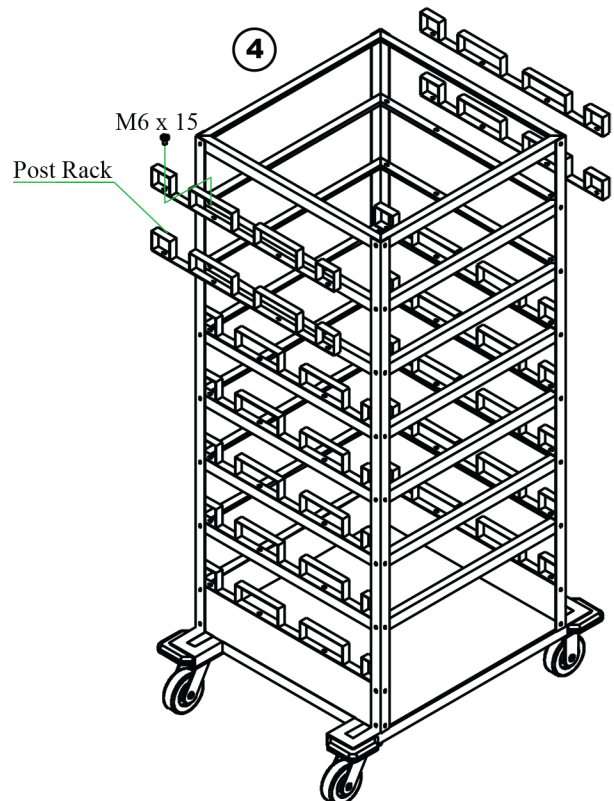
1. Attach 4 Wheels to the bottom of the Storage Tray using the M10 bolts making sure the wheel plates are facing in the correct direction
NOTE: There are two locking wheels and two standard wheels. Attach both locking wheels at one end, not diagonally across from each other



1. Set the storage tray on its wheels
2. Using 4 x M6 bolts attach each upright onto the Storage Tray, make sure the bolts are tight



1. Using 2 x M6 bolts attach the cross bars onto the uprights
NOTE: Keep these bolts loose



1. Using 4 x M6 bolts attach each Post Rack to the Cross Bars
NOTE: Keep these bolts loose
2. Once all Post Racks are attached tighten the Cross Bar bolts
3. Now tighten the Post Rack bolts

Check that all bolts are tight before use.