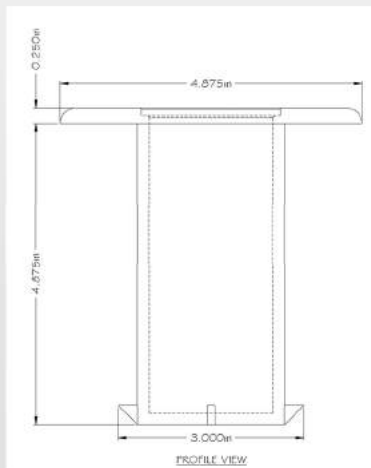


Removable stanchions are designed for permanent queue layouts but where occasional removal of the stanchions is necessary. The stanchion has an insert that fits into a floor socket, the socket is supplied with a cap for safe closure when the stanchion is removed.

The Standard Floor Socket has a 5" diameter surface flange and is 5" deep. The Mini Socket has a 1" diameter and 2" depth and is installed flush with the floor surface. This socket is discrete when the post is removed and hidden when the post is in place.

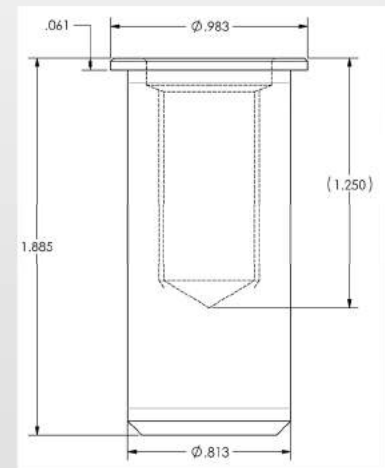
Standard Floor Socket



► SPECIFICATIONS

Height	36" / 914mm
Weight	3 lbs / 1.4kg
Post OD	2"/50mm
Post Flange OD	5" / 127mm

Mini Floor Socket



► SPECIFICATIONS

Height	36" / 914mm
Weight	3 lbs / 1.4kg
Post OD	2"/50mm